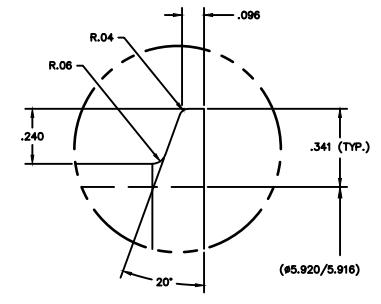
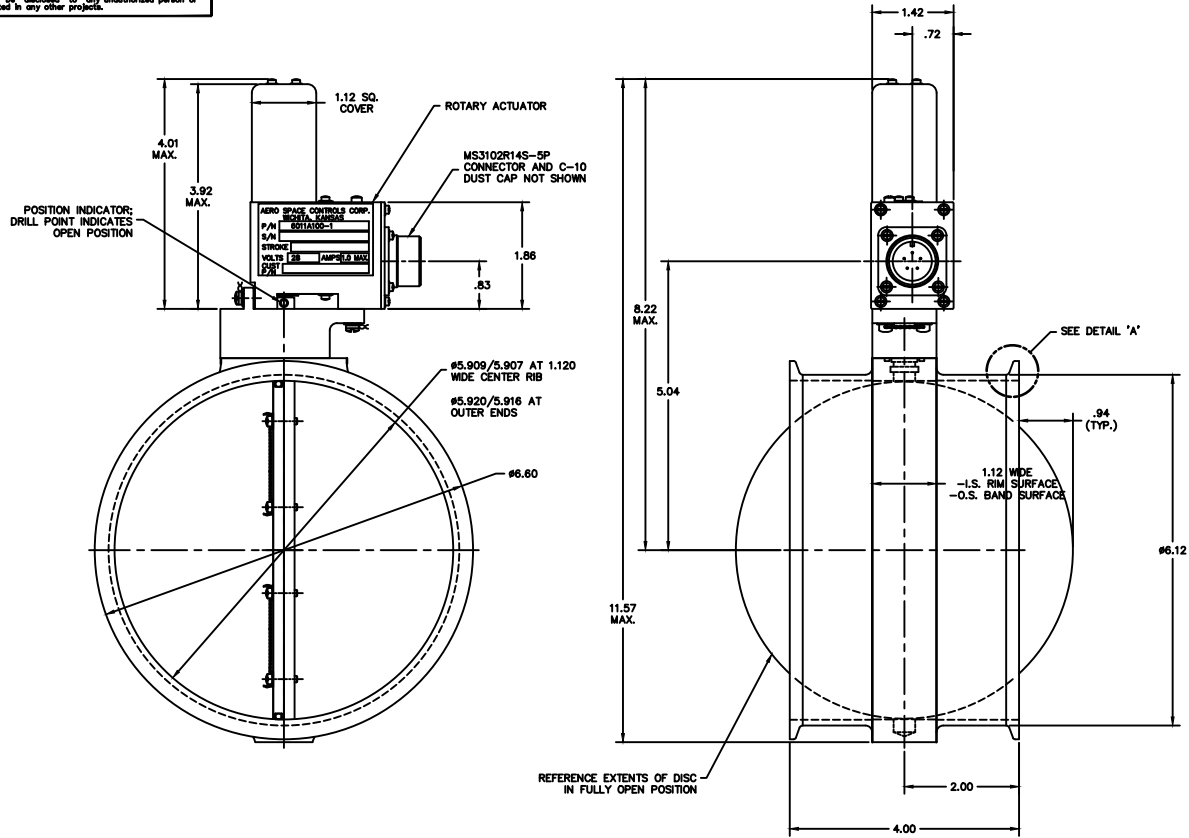
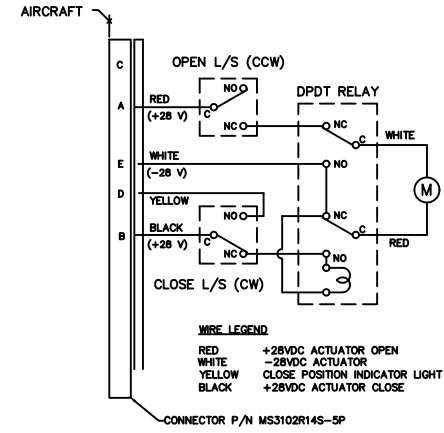


NOTICE
 This drawing is a part of the proprietary article therein disclosed and all design, manufacturing, reproduction, use, patent rights, and other rights regarding the same are hereby reserved by Aero Space Controls Corporation. Hence, it is submitted under a confidential relationship for a specific purpose and shall not be deemed to any unauthorized person or incorporated in any other projects.

REVISIONS				
C.O. NO.	REV.	REVISION DESCRIPTION	DATE	APPD.



DETAIL 'A'
 SCALE: 4X



ELECTRICAL SCHEMATIC
 -SCHEMATIC SHOWN IN FULL OPEN POSITION-
 -FOR DRAFTING PURPOSES THIS SCHEMATIC HAS BEEN GROUPED-

NOTES CONTINUED:

- 7. VALVE DATA:**
 -OPERATING TEMPERATURE: -67F TO 185F (-55C TO +85C)
 -OPERATING PRESSURE: 4.0 PSI
 -PROOF PRESSURE: 8.0 PSI
 -MAXIMUM LEAKAGE: INTERNAL 9.0 SCFM @ 4.0 PSI INLET
 EXTERNAL 0.9 SCFM @ 4.0 PSI INLET
- 8. ACTUATOR DATA:**
 -OPEN/CLOSE (28V): 5 SECONDS MAXIMUM
 -CLOSE/OPEN (28V): 20 SECONDS MAXIMUM
 -MAXIMUM CURRENT: 0.4 AMPS AT 28V

-1 VALVE 6"
 SCALE: 1:1

DIMENSIONAL SYMBOLS PER ASME Y14.5		UNLESS OTHERWISE SPECIFIED		SIGNALS		DATE		AERO SPACE CONTROLS CORPORATION	
FLATNESS	TELLOUNCES ON	1. DIMENSIONS ARE IN INCHES	DEL. D. ORTH.	4-22-18	TITLE:		6" VALVE BODY w/ACTUATOR		
STRAIGHTNESS	FRACTIONS & 1/4"	2. ANGLES	CHK.		DRAWING NO.:		6011A100		
IRREGULARITY	FOR DRG. & DIM.	3. DRILL HOLES	ENGR.		CODE IDENT. NO.:		D		
PERPENDICULARITY	FOR DRG. & DIM.	4. SURFACE TOLERANCES	APPD. DON SIMON	4-22-18	DRG. NO.:		6011A100		
PARALLELISM	PER DRG. & DIM.	5. TRUE POSITION			SCALE:		NOTED		
CONCENTRICITY	PER DRG. & DIM.	6. TRUE POSITION			UNIT WT.:		LIB.		
SYMMETRY	PER DRG. & DIM.	7. INTERNAL RADI	.000 TO .010		SCALE:		NOTED		
CHAMF. MAXIMUM	PER DRG. & DIM.	8. STRAIGHT RADI	.000 TO .010		SCALE:		NOTED		
CHAMF. MINIMUM	PER DRG. & DIM.	9. STRAIGHT RADI	.000 TO .010		SCALE:		NOTED		
CHAMF. MAXIMUM	PER DRG. & DIM.	10. STRAIGHT RADI	.000 TO .010		SCALE:		NOTED		
CHAMF. MINIMUM	PER DRG. & DIM.	11. STRAIGHT RADI	.000 TO .010		SCALE:		NOTED		
CHAMF. MAXIMUM	PER DRG. & DIM.	12. STRAIGHT RADI	.000 TO .010		SCALE:		NOTED		
CHAMF. MINIMUM	PER DRG. & DIM.	13. STRAIGHT RADI	.000 TO .010		SCALE:		NOTED		
CHAMF. MAXIMUM	PER DRG. & DIM.	14. STRAIGHT RADI	.000 TO .010		SCALE:		NOTED		
CHAMF. MINIMUM	PER DRG. & DIM.	15. STRAIGHT RADI	.000 TO .010		SCALE:		NOTED		
CHAMF. MAXIMUM	PER DRG. & DIM.	16. STRAIGHT RADI	.000 TO .010		SCALE:		NOTED		
CHAMF. MINIMUM	PER DRG. & DIM.	17. STRAIGHT RADI	.000 TO .010		SCALE:		NOTED		
CHAMF. MAXIMUM	PER DRG. & DIM.	18. STRAIGHT RADI	.000 TO .010		SCALE:		NOTED		
CHAMF. MINIMUM	PER DRG. & DIM.	19. STRAIGHT RADI	.000 TO .010		SCALE:		NOTED		
CHAMF. MAXIMUM	PER DRG. & DIM.	20. STRAIGHT RADI	.000 TO .010		SCALE:		NOTED		
CHAMF. MINIMUM	PER DRG. & DIM.	21. STRAIGHT RADI	.000 TO .010		SCALE:		NOTED		
CHAMF. MAXIMUM	PER DRG. & DIM.	22. STRAIGHT RADI	.000 TO .010		SCALE:		NOTED		
CHAMF. MINIMUM	PER DRG. & DIM.	23. STRAIGHT RADI	.000 TO .010		SCALE:		NOTED		
CHAMF. MAXIMUM	PER DRG. & DIM.	24. STRAIGHT RADI	.000 TO .010		SCALE:		NOTED		
CHAMF. MINIMUM	PER DRG. & DIM.	25. STRAIGHT RADI	.000 TO .010		SCALE:		NOTED		
CHAMF. MAXIMUM	PER DRG. & DIM.	26. STRAIGHT RADI	.000 TO .010		SCALE:		NOTED		
CHAMF. MINIMUM	PER DRG. & DIM.	27. STRAIGHT RADI	.000 TO .010		SCALE:		NOTED		
CHAMF. MAXIMUM	PER DRG. & DIM.	28. STRAIGHT RADI	.000 TO .010		SCALE:		NOTED		
CHAMF. MINIMUM	PER DRG. & DIM.	29. STRAIGHT RADI	.000 TO .010		SCALE:		NOTED		
CHAMF. MAXIMUM	PER DRG. & DIM.	30. STRAIGHT RADI	.000 TO .010		SCALE:		NOTED		