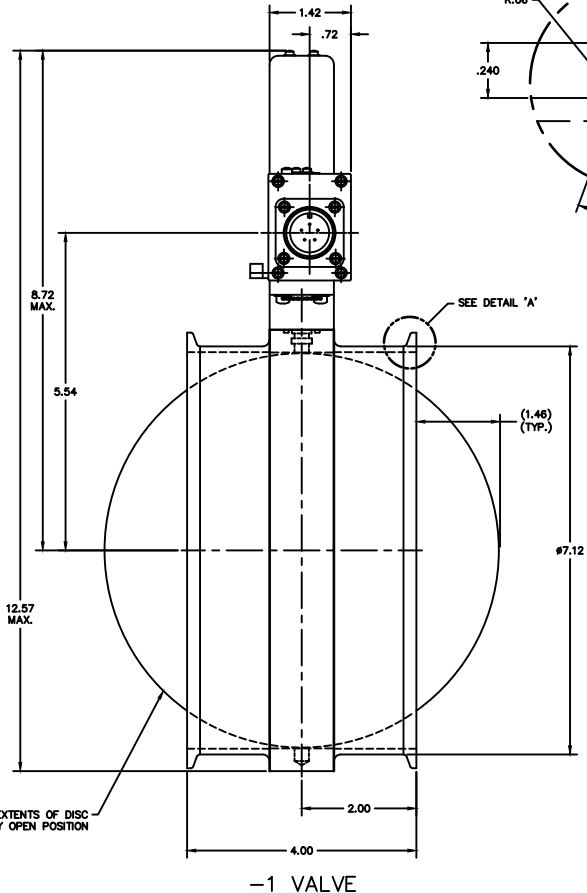
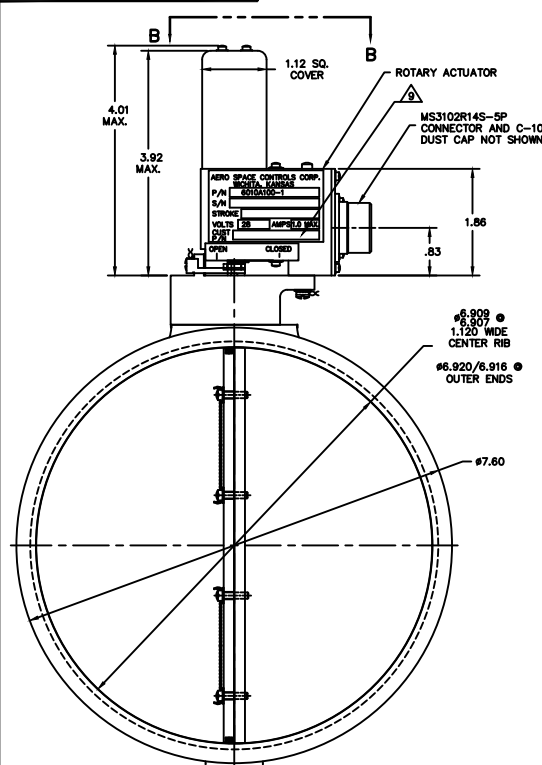
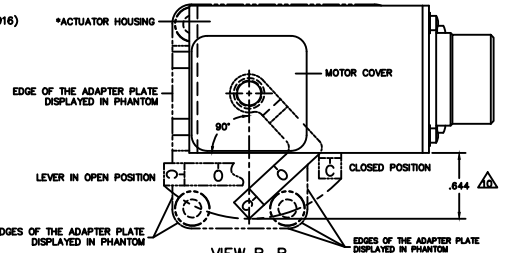


NOTICE
 This drawing is a part of the proprietary article therein disclosed and all design, manufacturing, reproduction, use, patent rights and other rights regarding the same are hereby reserved by Aero Space Controls Corporation. Hence, it is submitted under a confidential relationship for a specific purpose and shall not be deemed to any unauthorized person or incorporated in any other projects.

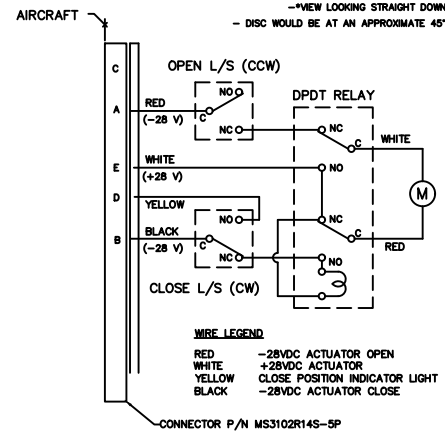


DETAIL 'A'
 SCALE: 4X



VIEW B-B
 SCALE: 2X

-L.O. TO DETAIL THE REQUIRED LEVER CLEARANCE DURING ROTATION-
 -VIEW LOOKING STRAIGHT DOWN ON ACTUATOR HOUSING-
 - DISC WOULD BE AT AN APPROXIMATE 45° POSITION/HALF OPEN/HALF CLOSED -



WIRE LEGEND
 RED -28VDC ACTUATOR OPEN
 WHITE +28VDC ACTUATOR
 YELLOW CLOSE POSITION INDICATOR LIGHT
 BLACK -28VDC ACTUATOR CLOSE

ELECTRICAL SCHEMATIC
 -SCHEMATIC SHOWN IN FULL OPEN POSITION-

- NOTES CONTINUED:
- VALVE DATA:
 -OPERATING TEMPERATURE: -4°F TO +212°F
 -OPERATING PRESSURE: 6.0 PSI
 -PROOF PRESSURE: 9.0 PSI
 -ULTIMATE PRESSURE: 18.0 PSI
 -MAXIMUM LEAKAGE: INTERNAL 13.0 SCFM AT 6.0 PSI INLET
 EXTERNAL 1.3 SCFM AT 6.0 PSI INLET
 - ACTUATOR DATA:
 -OPEN/CLOSE (17V): 35 SECONDS MAXIMUM
 -OPEN/CLOSE (28V): 10 SECONDS MAXIMUM
 -MAXIMUM CURRENT: 0.4 AMPS AT 28V

VALVE TO BE IDENTIFIED WITH THE APPLICABLE CUSTOMER PART NUMBER WHERE SHOWN

IN VIEW B-B: NOTE THE DIMENSION SHOWN IS REFLECTIVE OF THE LAYOUT BEING VIEWED STRAIGHT AT THE ACTUATOR HOUSING. DIMENSION .644 TAKEN FROM THE EDGE/VERTICAL SURFACE OF THE ACTUATOR HOUSING TO THE OUTER EDGE OF THE INDICATOR LEVER. THE AREA AS DEPICTED WILL NEED TO BE CLEAR OF ANY INTERFERENCE SO AS TO PROVIDE PROPER FUNCTIONAL ROTATION OF THE INDICATOR LEVER.

11. FOR ASSEMBLY SEE THE APPLICABLE '6010101' DRAWING

REVISIONS				
C.O. NO.	REV.	REVISION DESCRIPTION	DATE	APPD.
ASC5493	A	IN L.H. VIEW CORRECT COUPLERS' DETAILING AND SHOW SAFETY WIRE PROCESS DONE IN SETS. ADD F/N (11) w/SENTRY SEAL LOCATIONS TO F.O.D.	11-4-14	D.S.
ASC5513	B	TO COMPLY w/REVISION 'B' TO DRAWING '6010201' PLUS THE VIEWING OF THE APPLICABLE INTERNAL COMPONENTS DETAILED WITHIN THE VALVE BODY (NOT MOVE ACTUATOR LEVER TO OPEN. SEE 'TEXT') REMOVE F/N (11) AND SYMBOLS AT THE SENTRY	1-9-15	D.S.
ASC5523	C	SEAL LOCATIONS ON THE F.O.D. NOTE (11) NOW LISTS THE APPLICABLE 'ASSEMBLY DRAWING' FROM THE ELECTRICAL SCHEMATIC REMOVE THE FOLLOWING AT THE MOTOR AREA: (2) EA. SYMBOLS FOR CHOSES & CAPACITORS; LOW GROUND SYMBOL IN WIRE LEGEND FOR WHITE WIRE REMOVE 'GROUND'	2-10-15	D.S.
ASC5686	D		1-21-16	D.S.

DIMENSIONAL SYMBOLS PER	UNLESS OTHERWISE SPECIFIED	SIGNALURES	DATE	AERO SPACE CONTROLS CORPORATION	
1. DIMENSIONS ARE IN INCHES	1. DIMENSIONS ARE IN INCHES	DEL. D. ORTH	8-23-14	MEXIA, KRESIS	
2. FRACTIONS & 1/4 ANGLES	2. FRACTIONS & 1/4 ANGLES	CHK.		TITLE: VALVE BODY w/ACTUATOR -OUTLINE-	
3. HOLE DIA. & DRILL HOLES	3. HOLE DIA. & DRILL HOLES	ENGR.		CODE IDENT. NO. 6010A100	
4. CONCENTRICITY	4. CONCENTRICITY	APPD. DON SIMON	7-1-14	SCALE: UNL. WT. LIB. INT. 1 OF 1	
5. TRUE POSITION	5. TRUE POSITION				
6. SURFACE TOLERANCES	6. SURFACE TOLERANCES				
7. REMOVE BURRS & BREAK SHARP EDGES	7. REMOVE BURRS & BREAK SHARP EDGES				
8. ALL DIMENSIONS BEFORE PLATING	8. ALL DIMENSIONS BEFORE PLATING				
9. STRAIGHT RADI .005 TO .010	9. STRAIGHT RADI .005 TO .010				
10. STRAIGHT SIZES MS-8-7740	10. STRAIGHT SIZES MS-8-7740				
11. TAPERED PIPE MIL-P-7105	11. TAPERED PIPE MIL-P-7105				
DO NOT SCALE DRAWING	DO NOT SCALE DRAWING				