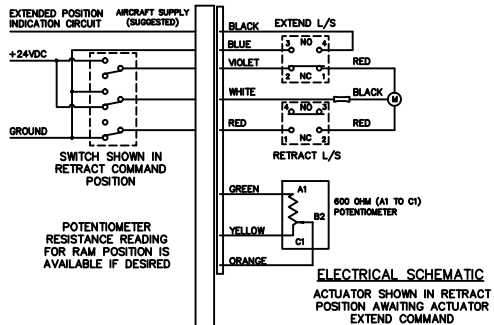


— NOTICE —
 This drawing is a part of the proprietary article therein disclosed, and all design, manufacturing, reproduction, use, patent rights, and other rights regarding the same are expressly reserved by Aero Space Controls Corporation, Wichita, Kansas. It is submitted under a confidential relationship for a specific purpose and shall not be disclosed to any unauthorized person or incorporated in any other projects.



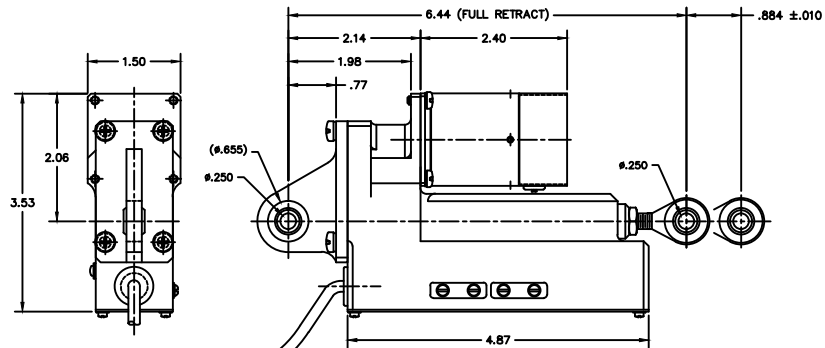
WIRE LEGEND:

- A VIOLET: EXTEND L/S/MOTOR +24VDC ACTUATOR EXTEND COMMAND
- B WHITE: MOTOR SUPPLY GROUND, ACTUATOR EXTEND COMMAND +24VDC, ACTUATOR RETRACT COMMAND
- C RED: RETRACT L/S/MOTOR GROUND ACTUATOR RETRACT COMMAND
- D GREEN: EXTEND POSITION INDICATOR
- E YELLOW: RETRACT POSITION INDICATOR
- F ORANGE: WIPER (VARIABLE POSITION)
- G BLACK: FULLY EXTENDED POSITION INDICATOR
- H BLUE: GROUND FOR EXTEND POSITION INDICATOR

ACTUATOR PERFORMANCE TABLE		
LOAD	STROKE	TIME
LBS.	INCH	SECONDS
260	0.88	3.50-4.25
700	0.88	4.00-5.00

NOTES CONTINUED:

- 7. TO RETRACT: +24VDC (WHITE)
GROUND (RED)
- TO EXTEND: +24VDC (VIOLET)
GROUND (WHITE)
- 8. NORMAL OPERATING LOAD: 260 LBS.
- 9. MAXIMUM OPERATING LOAD: 700 LBS.
- 10. MAXIMUM AMP DRAW: 8.0 AMPS
- 11. WEIGHT: 1.8 LBS. MAXIMUM



-1 ACTUATOR

14 ±.5° OF 20 GA. STRANDED TEFLON INSULATED WIRE WITH 12 ±.5° OF SIZE #5 GLASS SLEEVING, ALL MEASURED FROM THE HOUSING

REVISIONS				
C.O. NO.	REV.	REVISION DESCRIPTION	DATE	APPD.
ASC4388	A	DIM. IS .77 WAS .87. ADD DIM'S 2.14 AND 2.40. UPDATED HOUSING GEOMETRY LEFT OF MOTOR FLANGE. CORRECT L.D. THK. OF 2008111-1 END PLATE TO MATCH PART. BORE IN SAME WAS (.656) NOW (.656). SHT. SIZE IS 'D' WAS 'C'. SEE ECO.	9-5-07	D.S.
ASC4409	B	UPDATE SCHEMATIC & F.O.D. DETAILING. SEE ECO.	10-12-07	D.S.
ASC4443	C	ADD SHIELDED WIRE SLEEVE NOTATION. CHANGE CONNECTOR CALLOUT TO 'MS' FORMAT. +28VDC CALLOUTS TO +24VDC CALLOUTS AND -28VDC CALLOUTS TO 'GROUND'. CHART UPDATED. REWORK 'NOTES CONTINUED' AS REQUESTED.	11-21-07	D.S.
ASC4493	D	IN SCHEMATIC AT POTENTIOMETER 'B2' WAS 'B1'	2-15-08	D.S.
ASC5416	E	ON THE F.O.D. REMOVE CONNECTOR/SHIELDED WIRE SLEEVE NOTATION. ADDED NOTATION RELATIVE TO WIRE/SLEEVING TYPE. AT THE SCHEMATIC REMOVED THE CONNECTOR/PIN NOTATION. IN NOTE (7) REMOVED PIN NOTATION. SEE 'ECO' FOR SPECIFICS.	5-13-14	D.S.

-1 SPOILER ACTUATOR		MATERIAL		MATERIAL SPEC.		FINISH		FINISH SPEC.	
QTY.	ITEM	SIZE	PART NUMBER	DESCRIPTION	MATERIAL	MAT'L. SPEC.	FINISH	FINISH SPEC.	
LIST OF MATERIALS									
DIMENSIONAL SYMBOLS PER ASME Y14.5		UNLESS OTHERWISE SPECIFIED		SIGNATURES		DATE		AERO SPACE CONTROLS CORPORATION WICHITA, KANSAS SPOILER ACTUATOR CODE IDENT NO. D DWG NO. 2008A100 SCALE 1:1 UNIT WT LBS SHT 1 OF 1	
▽ FLATNESS — STRAIGHTNESS ∠ ANGULARITY ⊥ PERPENDICULARITY ∥ PARALLELISM ⊙ CONCENTRICITY ⊕ TRUE POSITION ○ CIRCULARITY (ROUNDNESS) = SYMMETRY (M) (MMC) MAXIMUM MATERIAL CONDITION (RFS) REGARDLESS OF FEATURE SIZE		1. DIMENSIONS ARE IN INCHES — TOLERANCES ON — FRACTIONS ± 1/16 ANGLES XX DEC ±.030 ±0° 30' XXX DEC ±.010 DRILL HOLES AND 10387		DR. D. ORTH CHK. ENGR. W. DEGNAN		8-23-07 6-7-07 8-23-07			
		2. SURFACE ROUGHNESS PER ASME-B46.1		APPD. DON SIMON					
		3. REMOVE BURRS & BREAK SHARP EDGES .010 MAX.		NEXT ASSY:					
		4. INTERNAL RADII .005 TO .015		6. ALL DIMENSIONS BEFORE PLATING					
		5. STRAIGHT SCREW MIL-S-7742 TAPERED PIPE MIL-P-7105		DO NOT SCALE DRAWING					