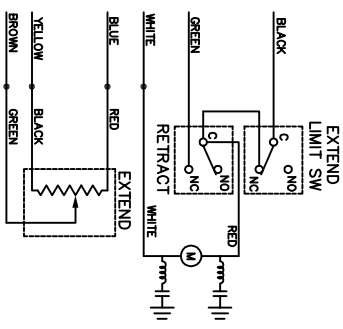
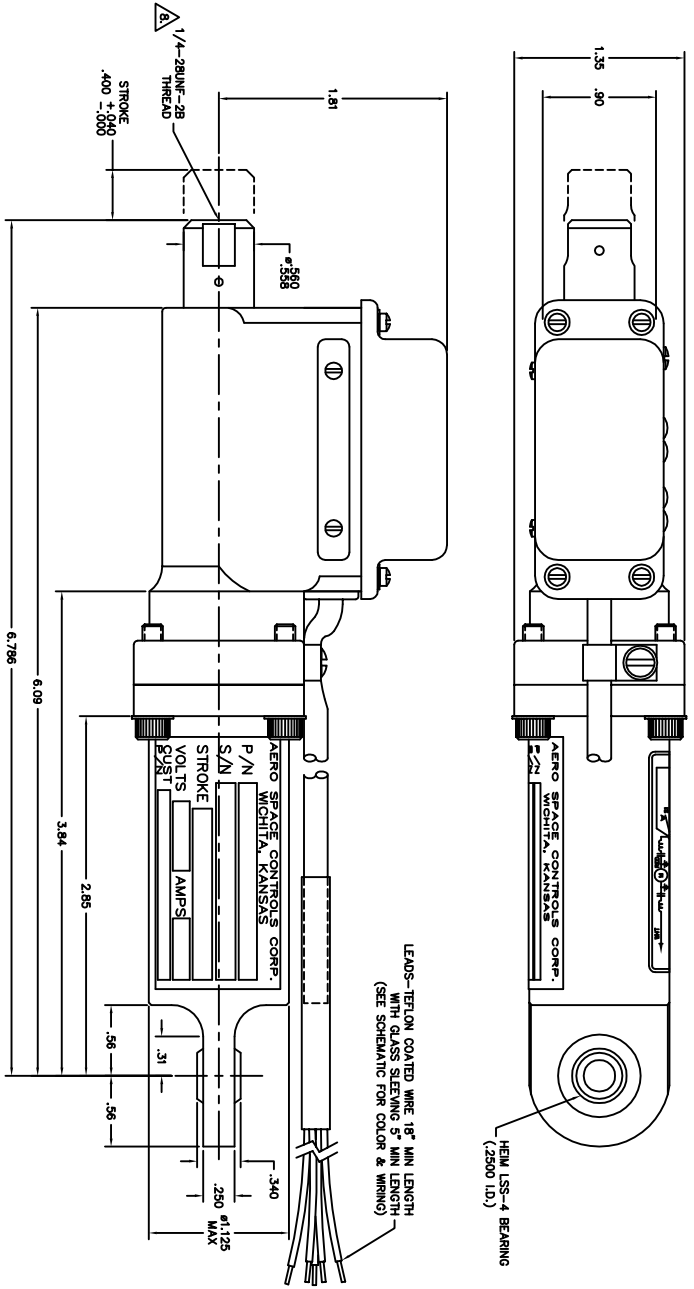


NOTICE
 The design is a preliminary drawing. It is subject to change without notice. It is not to be used for manufacturing purposes. It is not to be used for procurement purposes. It is not to be used for legal purposes. It is not to be used for any other purpose.



ELECTRIC SCHEMATIC 1092TR100-18
 SHOWN IN RETRACT POSITION



-18 ACTUATOR ASSEMBLY

- NOTES CONTINUED:
- TO OPERATE ACTUATOR, APPLY 28 VDC AS NOTED.
 - TO RETRACT: +28 VDC TO GREEN, -28 VDC TO WHITE.
 - TO EXTEND: +28 VDC TO WHITE, -28 VDC TO BLACK.
 - DO NOT EXCEED .375 MAXIMUM THREAD DEPTH WHEN INSTALLING ENDS.
 - LINEAR POTENTIOMETER VALUES:
 RETRACT: 0 TO 5 OHMS
 EXTEND: 252 TO 320 OHMS
 - NOMINAL WEIGHT: 14.5 OUNCES
 - NOMINAL VOLTAGE: 24 TO 28 VOLTS D.C.
 - ALL LEAD WIRES SHALL BE 22 AWG
 - EXTENSION TIME FOR .40 INCHES: 10 TO 14 SECONDS
 - RETRACTION TIME FOR .40 INCHES: 10 TO 14 SECONDS
 - ALL EXTENSION AND RETRACTION TIMES TO BE CHECKED WHILE UNDER AN OPPOSING 50 LB. LOAD AND AT 28 VOLTS D.C. (REGULATED POWER SUPPLY)
 - UNIT MUST BE SEALED WATERTIGHT AT ALL SEAMS AND JOINTS
 - MAXIMUM CURRENT .75 AMPERES AT NOMINAL VOLTAGE
 - FOR ACTUATOR ASSEMBLY SEE DRAWING 1092TR101-18

REVISIONS		DATE	APP'D.
C.O. NO.	REV.	11-15-02	D.S.
ASC2801	W	11-15-02	D.S.
ASC312	X	4-12-07	D.S.

CDT	ITEM	SIZE	DESCRIPTION	QUANTITY	UNIT	REVISIONS																																								
			-18 ACTUATOR																																											
<table border="1"> <tr> <td>DESIGNER</td> <td>DATE</td> <td>SCALE</td> <td>2:1</td> </tr> <tr> <td>CHECKED</td> <td>DATE</td> <td>SCALE</td> <td>1" = 1"</td> </tr> </table>							DESIGNER	DATE	SCALE	2:1	CHECKED	DATE	SCALE	1" = 1"																																
DESIGNER	DATE	SCALE	2:1																																											
CHECKED	DATE	SCALE	1" = 1"																																											
<table border="1"> <tr> <td>INDUSTRY</td> <td>ASTM</td> <td>ASTM</td> <td>ASTM</td> </tr> <tr> <td>FLATNESS & STRAIGHTNESS</td> <td>PER DIMITRIY</td> <td>PER DIMITRIY</td> <td>PER DIMITRIY</td> </tr> <tr> <td>ADJUSTABILITY</td> <td>PER DIMITRIY</td> <td>PER DIMITRIY</td> <td>PER DIMITRIY</td> </tr> <tr> <td>INSTALLATION</td> <td>PER DIMITRIY</td> <td>PER DIMITRIY</td> <td>PER DIMITRIY</td> </tr> <tr> <td>OPERATION</td> <td>PER DIMITRIY</td> <td>PER DIMITRIY</td> <td>PER DIMITRIY</td> </tr> <tr> <td>MAINTENANCE</td> <td>PER DIMITRIY</td> <td>PER DIMITRIY</td> <td>PER DIMITRIY</td> </tr> <tr> <td>REPAIR</td> <td>PER DIMITRIY</td> <td>PER DIMITRIY</td> <td>PER DIMITRIY</td> </tr> <tr> <td>REWORK</td> <td>PER DIMITRIY</td> <td>PER DIMITRIY</td> <td>PER DIMITRIY</td> </tr> <tr> <td>REWORK</td> <td>PER DIMITRIY</td> <td>PER DIMITRIY</td> <td>PER DIMITRIY</td> </tr> <tr> <td>REWORK</td> <td>PER DIMITRIY</td> <td>PER DIMITRIY</td> <td>PER DIMITRIY</td> </tr> </table>							INDUSTRY	ASTM	ASTM	ASTM	FLATNESS & STRAIGHTNESS	PER DIMITRIY	PER DIMITRIY	PER DIMITRIY	ADJUSTABILITY	PER DIMITRIY	PER DIMITRIY	PER DIMITRIY	INSTALLATION	PER DIMITRIY	PER DIMITRIY	PER DIMITRIY	OPERATION	PER DIMITRIY	PER DIMITRIY	PER DIMITRIY	MAINTENANCE	PER DIMITRIY	PER DIMITRIY	PER DIMITRIY	REPAIR	PER DIMITRIY	PER DIMITRIY	PER DIMITRIY	REWORK	PER DIMITRIY	PER DIMITRIY	PER DIMITRIY	REWORK	PER DIMITRIY	PER DIMITRIY	PER DIMITRIY	REWORK	PER DIMITRIY	PER DIMITRIY	PER DIMITRIY
INDUSTRY	ASTM	ASTM	ASTM																																											
FLATNESS & STRAIGHTNESS	PER DIMITRIY	PER DIMITRIY	PER DIMITRIY																																											
ADJUSTABILITY	PER DIMITRIY	PER DIMITRIY	PER DIMITRIY																																											
INSTALLATION	PER DIMITRIY	PER DIMITRIY	PER DIMITRIY																																											
OPERATION	PER DIMITRIY	PER DIMITRIY	PER DIMITRIY																																											
MAINTENANCE	PER DIMITRIY	PER DIMITRIY	PER DIMITRIY																																											
REPAIR	PER DIMITRIY	PER DIMITRIY	PER DIMITRIY																																											
REWORK	PER DIMITRIY	PER DIMITRIY	PER DIMITRIY																																											
REWORK	PER DIMITRIY	PER DIMITRIY	PER DIMITRIY																																											
REWORK	PER DIMITRIY	PER DIMITRIY	PER DIMITRIY																																											
<table border="1"> <tr> <td>ACTUATOR OUTLINE</td> <td>1092TR100-18</td> </tr> </table>							ACTUATOR OUTLINE	1092TR100-18																																						
ACTUATOR OUTLINE	1092TR100-18																																													