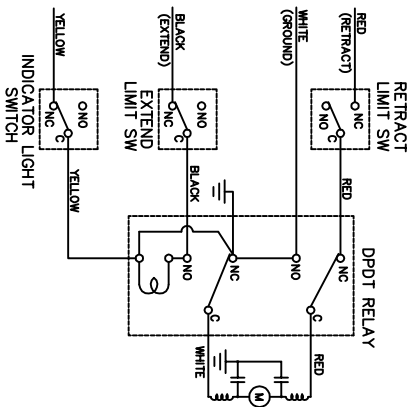
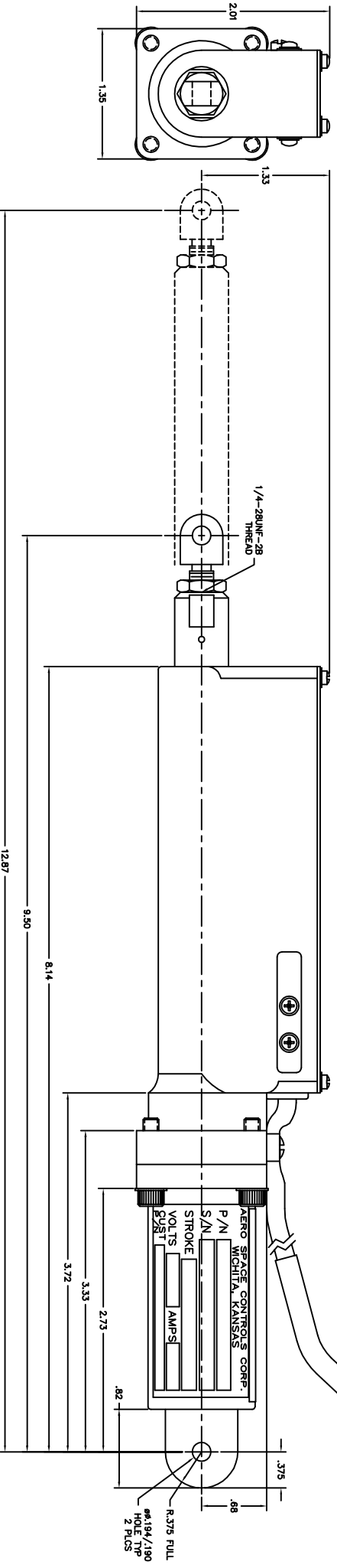
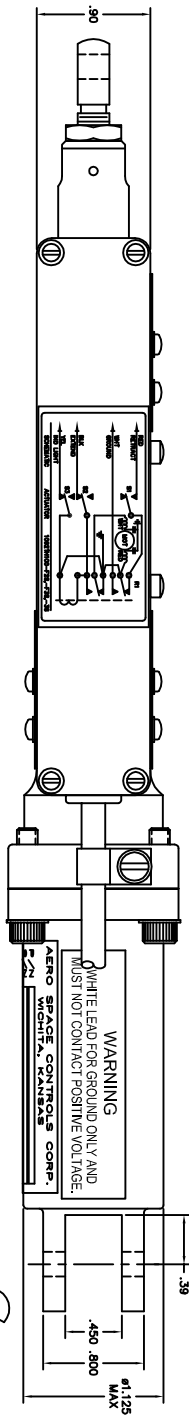


**NOTICE**  
 This drawing is a part of the proprietary article shown. It contains information that is confidential to the manufacturer. It is identified under a proprietary name and should not be disclosed to any individual or person or incorporated in any other project.



**ELECTRIC SCHEMATIC 1092TH100-35**  
 SHOWN IN RETRACT POSITION



- NOTES CONT'D:**
7. VOLTAGE: 24 TO 28 V.D.C.
  8. AMPS: 2.0 MAX.
  9. WEIGHT: 1.2 LB.
  10. ALL LEAD WIRES SHALL BE 22 AWG
  11. UNIT MUST BE SEALED WATERTIGHT (ALL SEAMS & JOINTS)
  12. TIME ONE CYCLE (FULL RETRACT TO EXTEND AND BACK TO FULL RETRACT): 48 SECONDS. WITH A 3.57" STROKE AND 50 LB. OPPOSING LOAD.

-3S

REV	DATE	DESCRIPTION	BY	CHKD
1				

QTY	UNIT	DESCRIPTION	ACTUATOR
1			

QTY	UNIT	DESCRIPTION	ACTUATOR
1			

ITEM NO.	DESCRIPTION	QTY	UNIT	REVISIONS	DATE	APPD
1	ACTUATOR OUTLINE	1				

QTY	UNIT	DESCRIPTION	ACTUATOR
1			

QTY	UNIT	DESCRIPTION	ACTUATOR
1			